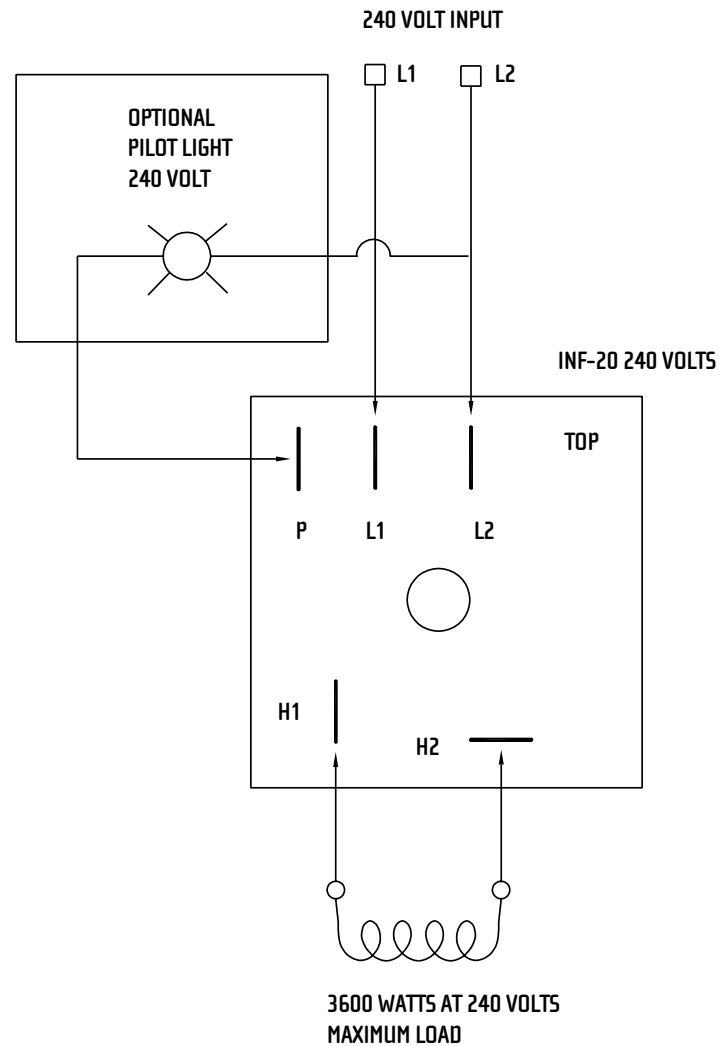
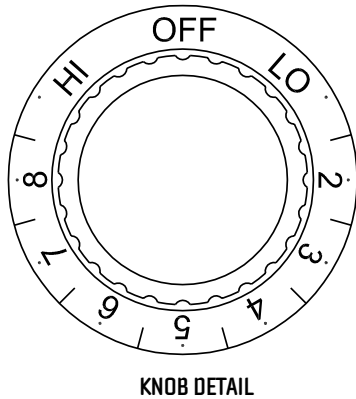


# REGULATOR WIRING DIAGRAM

## INF-20



ITEM #: 14-4094

**NOTES:**

- 240 volt 1Ø 15 amp
- Mechanical bi-metal operation
- Double Pole Single Throw (DPST) snap action
- Supplied with 4 insulated female connectors
- 3600 watts max
- 15 amps max